



## Major Bridge Components

### Introduction

This section presents the terminology needed by inspectors to properly identify and describe the individual elements that comprise a bridge. First the major components of a bridge are introduced. Finally, the purpose and function of the major bridge components are discussed in detail.

### NBIS Bridge Length

According to the Recording and Coding Guide for the Structure Inventory and Appraisal of the Nation's Bridges (in accordance with the Code of Federal Regulations 23 CFR 650.3) the minimum length for a structure carrying traffic loads to be included in the National Bridge Inventory is 6.1 meters (20 feet).

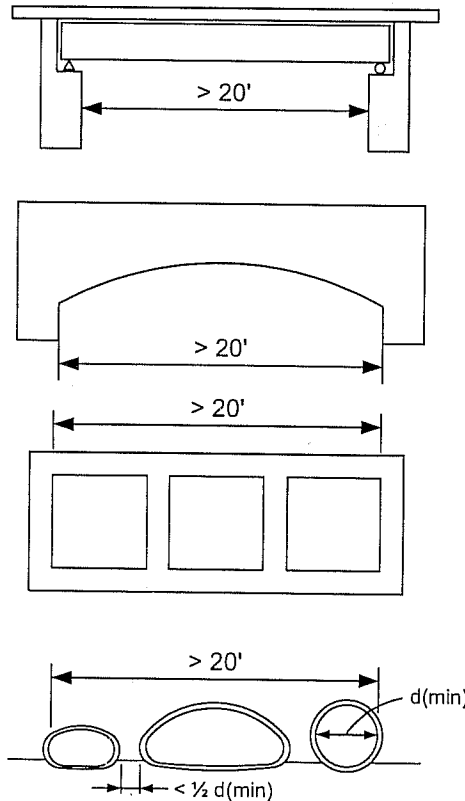


Figure P.2.1: NBIS Bridge Length